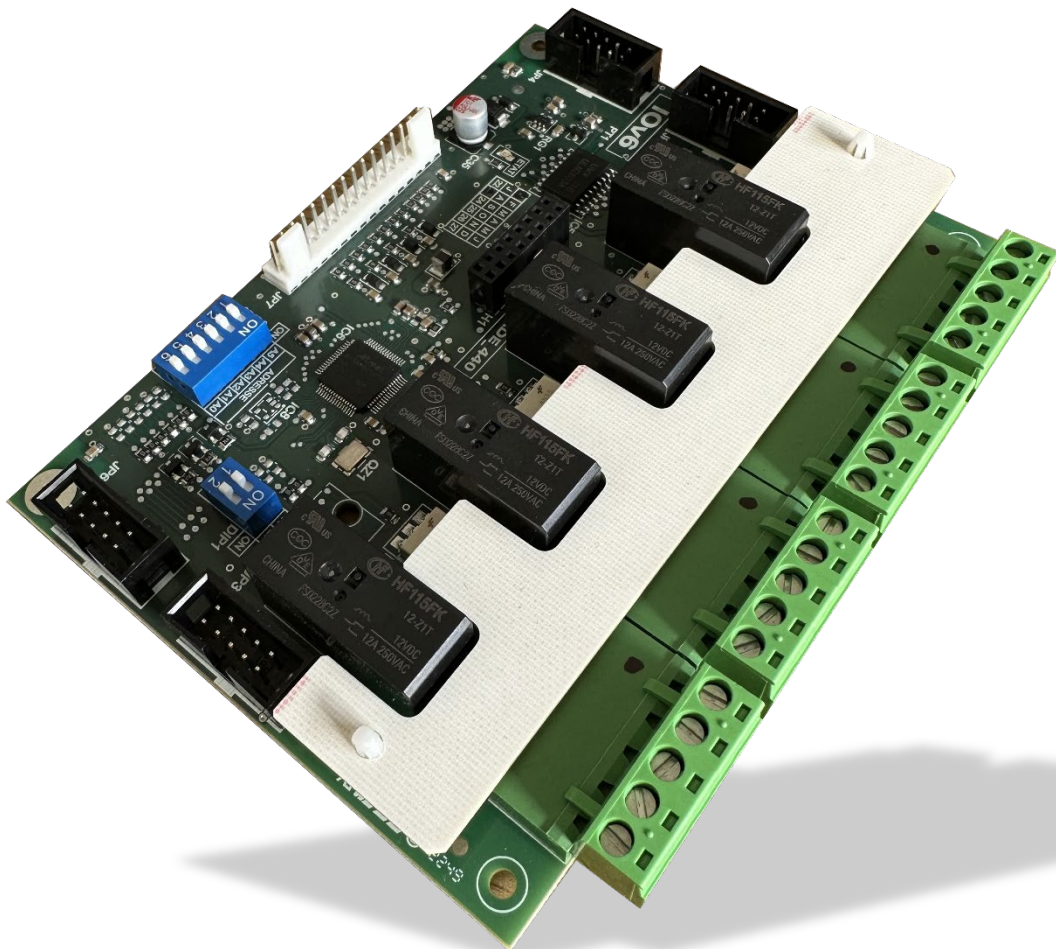




INSTALLATION MANUAL

I/O CARD V.6.1

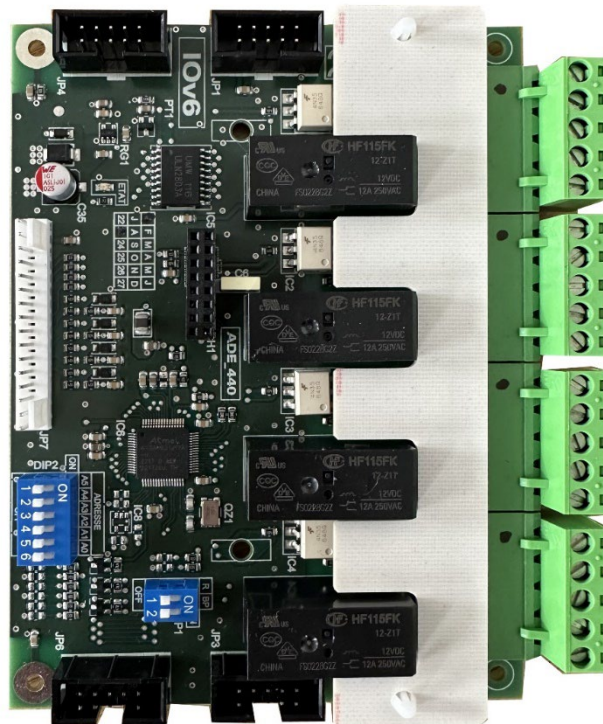


1. New features

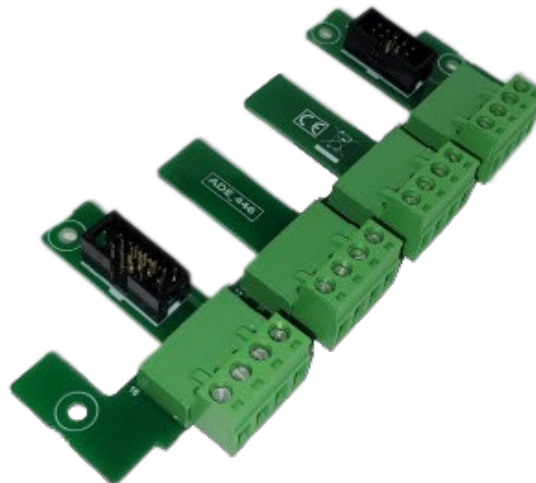
The V.6.1 card includes the following new features:

- For the configurations, there is no more solder or track to cut:
 - An optional card to manage active returns
 - The NO and NC functions will be native, available at the stations
- Data & Power connector keying
- Inputs for functional occupancy returns from 12V to 230V

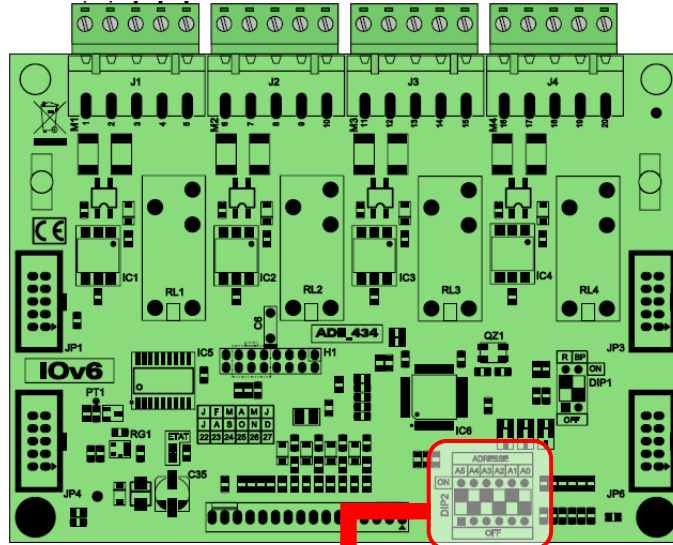
I/O card v.6.1



Optional card in the event of active returns



2. Addressing

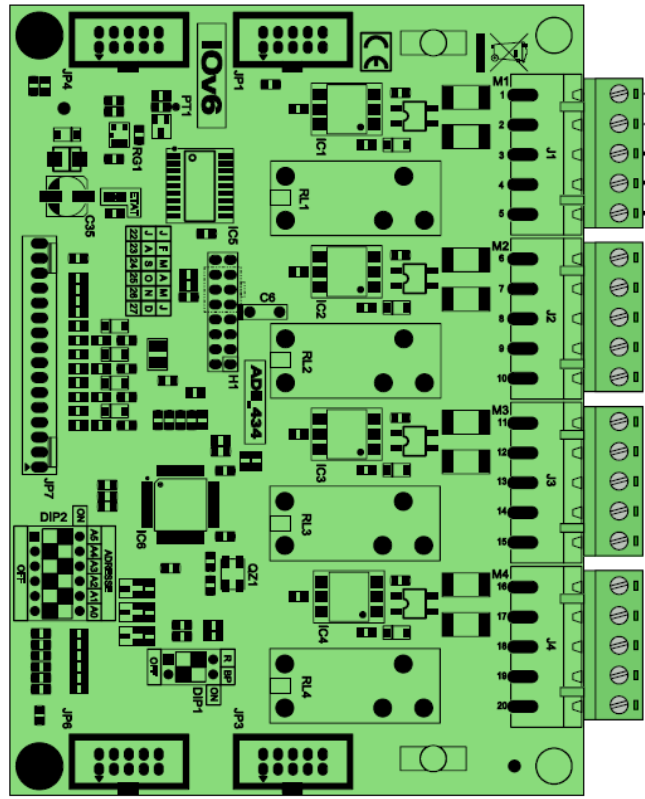


Card	Switch					
	A5	A4	A3	A2	A1	A0
00						
01						
02						
03						
04						
05						
06						
07						

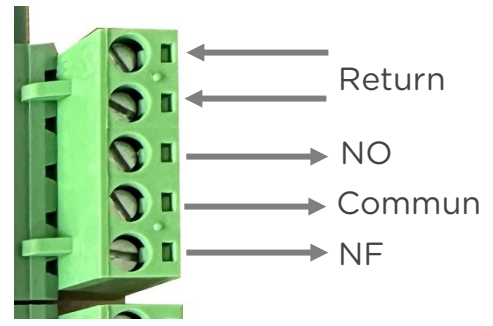
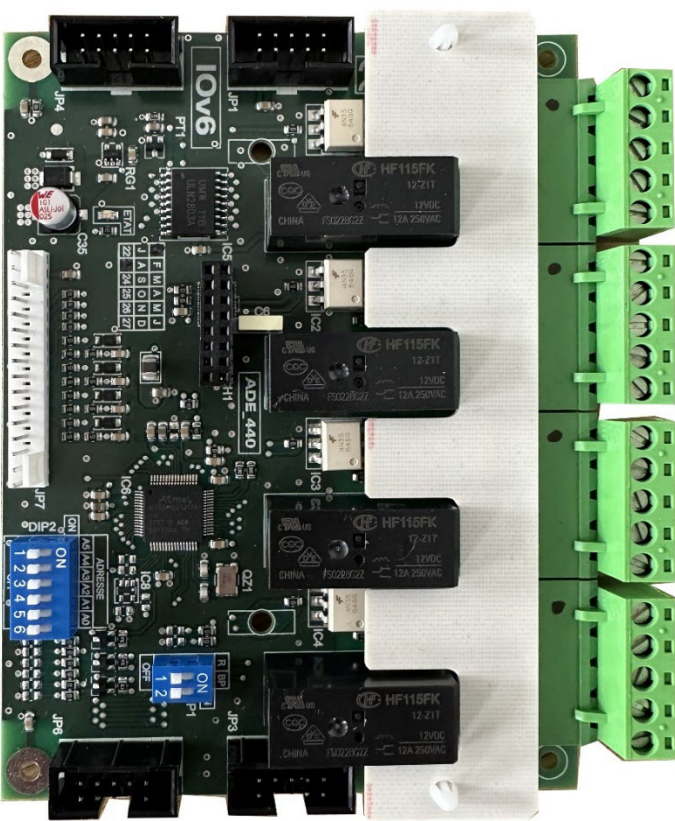
Card	Switch					
	A5	A4	A3	A2	A1	A0
08						
09						
10						
11						
12						
13						
14						
15						

3. Standard wiring

Data Ribbon → Power Ribbon




Data Ribbon ← Power Ribbon

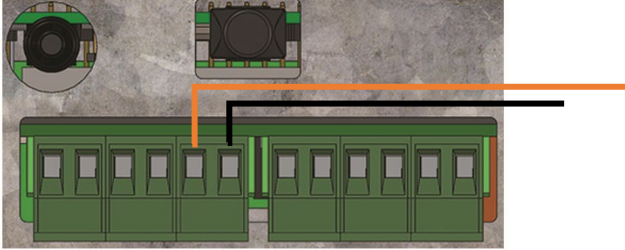


4. Active return wiring

If you are using the active return, you must wire as follows:

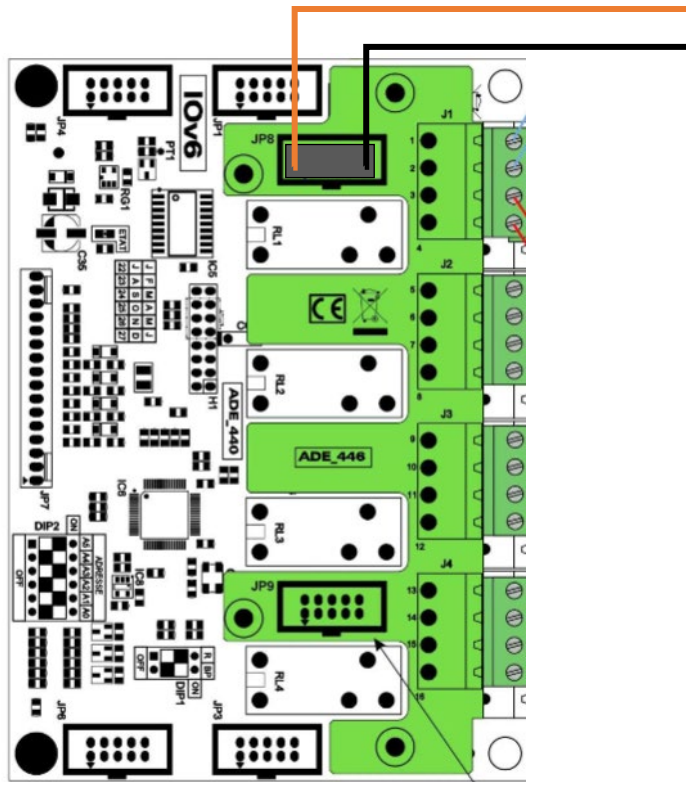
- Connect the supplied cable to the available 24V of the electronic box

 Do not use a voltage higher than 24V on the active return optional card.

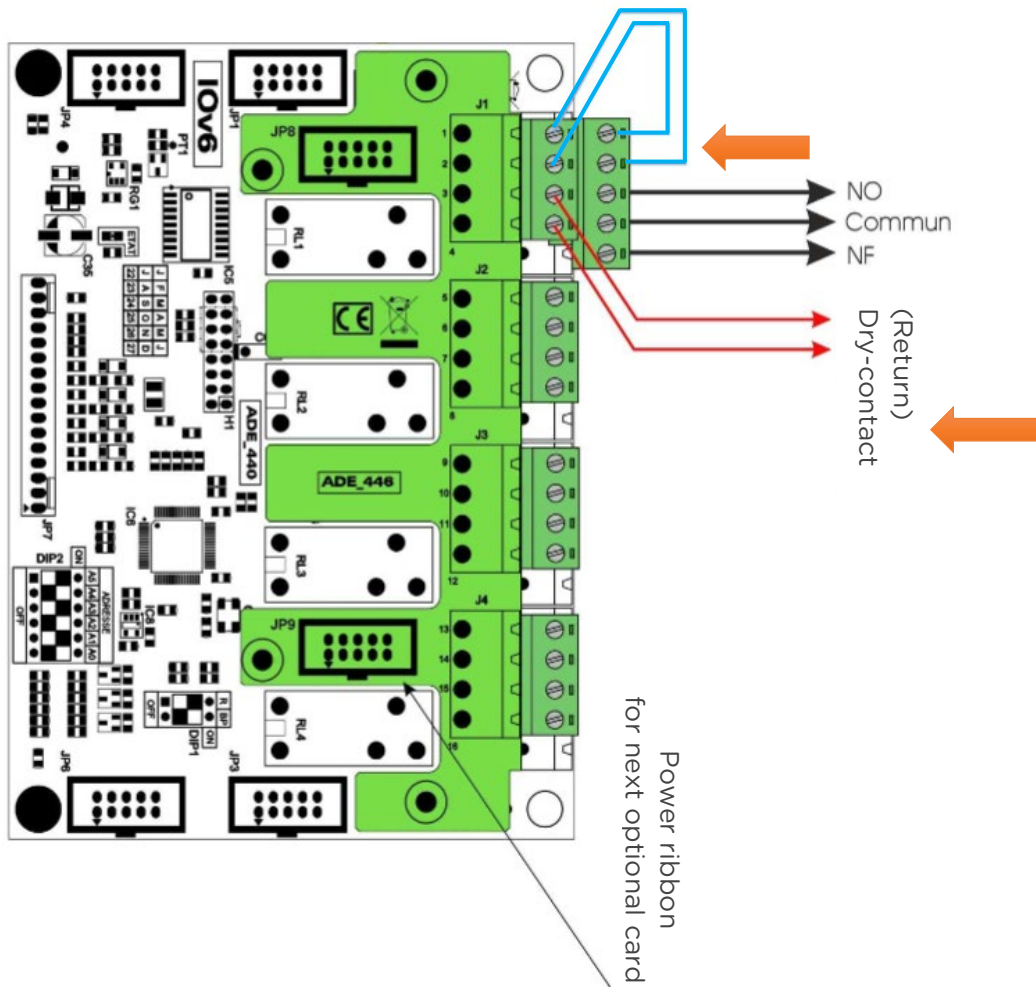


+	-	+	-	+	-	+	-	+	-
5V	12V	24V	24V	12V	5V				

- Connect the other end to the active return optional card



- Screw the return wires to the 4-point connector on the upper card as follows (red wires)
- Screw the pre-wired blue leads of the 4-point connector of the upper card in place of the returns.





2 boulevard Marcel Dassault
69330 Jonage - FRANCE

Phone: +33 (0)4 72 47 74 00
Fax: +33 (0)4 72 47 74 11
lmcontrol.com