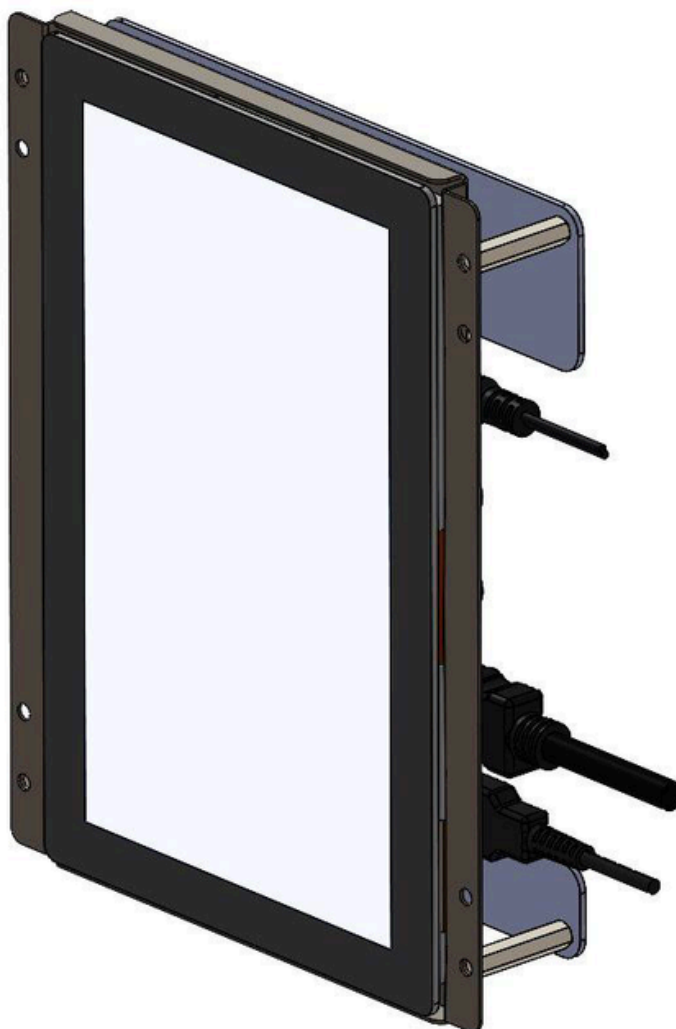


Programming screen wiring guide

7" Touchscreen



v1.2 04/2026

1. Introduction

To configure your button kiosk, you will need to temporarily connect a programming touchscreen.

Follow the instructions to avoid any mistakes.

Equipments you will need (included with the guide) :

- 7 inch screen (with its rear protective plate)
- 5V power cable
- USB cable - type AA (male/male)

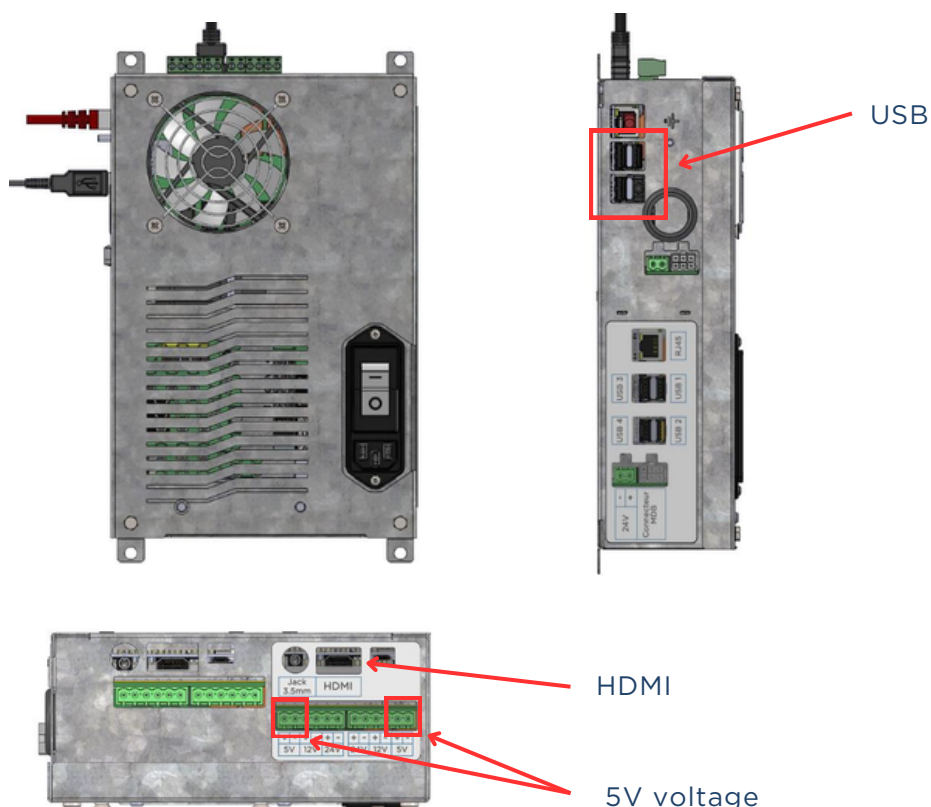


Before any handling, make sure the kiosk is powered off.

2. Wiring on the electrical casing

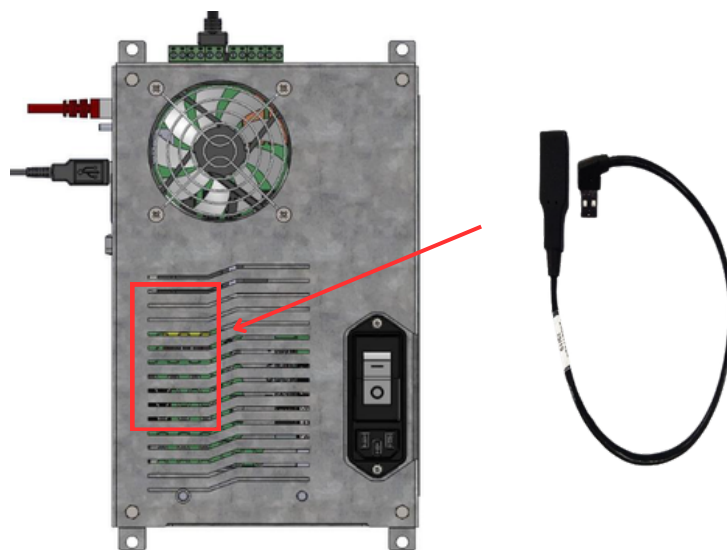
You will need to connect the USB cable to one of the available USB port on the casing.

Then, you need to connect the HDMI cable (if it is not present) and the power cable, in the indicated spots below. Be careful the screen is supplied with a 5V voltage, therefore you need to connect on one of the two spots delivering a 5V DC voltage, here framed in red.



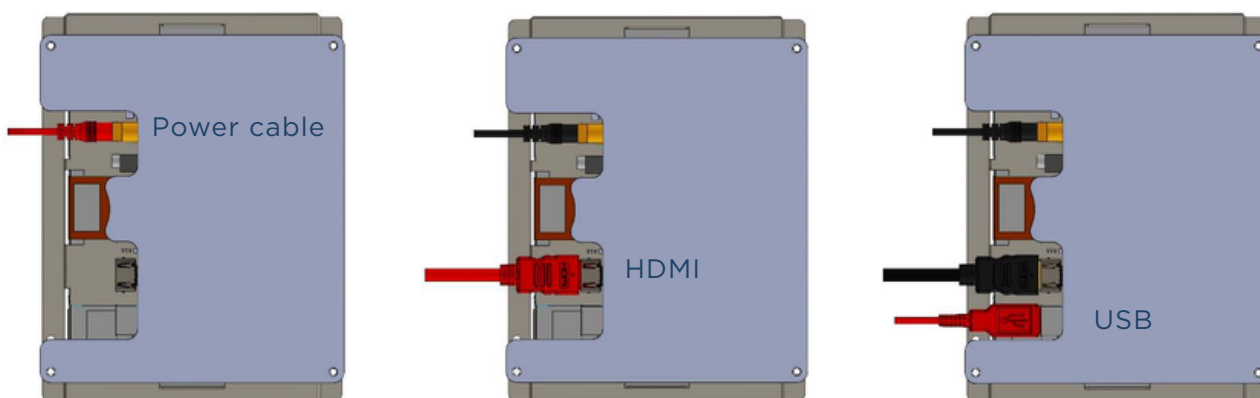
v1.2 04/2026

You may have USB extension cable on the front panel of the electrical casing.



3. Wiring on the screen

Connect the jack 2.1mm socket, the male HDMI connector and the male USB connector to the indicated spots below.



You must now turn the kiosk on and carry out your programming.