

7-inch screen replacement guide

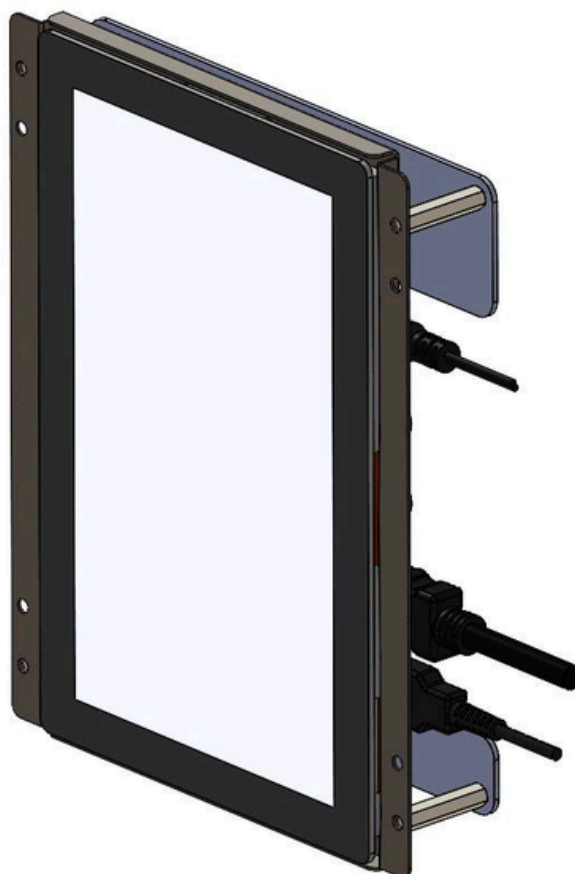


Table of contents :

1. Introduction and necessary tools.....	2
2. Disassembly	2-3
2.1 Disassembly of the banknotes reader.....	2-3
2.2 Disassembly of the screen	3
3. Reassembly.....	4-5
3.1 Reassembly of the screen.....	4-5
3.2 Reassembly of the banknotes reader.....	5
4. Finalizing the reassembly	6

1. Introduction and necessary tools

To replace the 7-inch screen, you will need to dismantle the screen reinforcement then the screen and replace them with the new screen and the new reinforcement. On some models of kiosk, you will first need to dismantle the banknotes reader to access the screen. If you don't have a banknotes reader, you can skip section "2.1".

Equipments you will need (included with the guide) :

- 7-inch screen
- 7-inch screen reinforcement
- 4 plastic washers
- 12V power cable
- Angled USB Type B

Tools you will need :

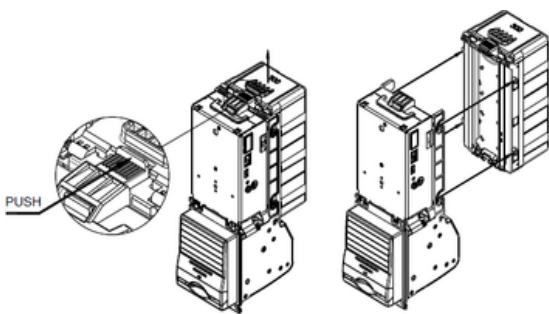
- Size 10 socket wrench (or equivalent)
- Size 5.5 socket wrench (or equivalent)
- Pozidriv screwdriver for M4 screws

2. Disassembly

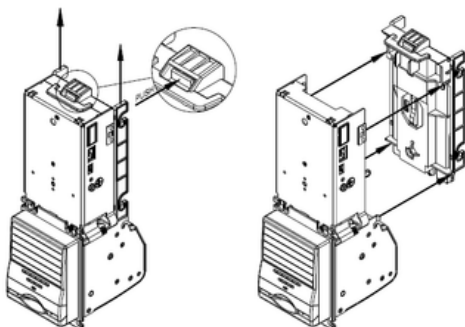
2.1 Disassembly of the banknotes reader



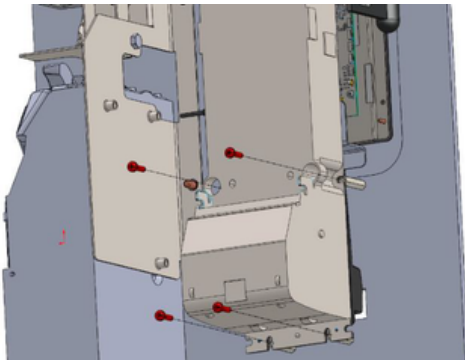
Before any handling, make sure the kiosk is powered off.



To remove the bill cassette, push the unlocking lever as shown on the left and slide the bill cassette in the direction indicated. For the UPWARD STACKER installation, slide the bill cassette UP and vice versa. Once the bill cassette unlocks, it easily slides out of the 4 slots on the plastic holder.



Push on the unlocking latch and slide the holder off in the direction indicated. For the UPWARD STACKER installation, slide the bill cassette UP and vice versa.



You then need to identify the location of each cable connected to the banknotes reader and unplug them.

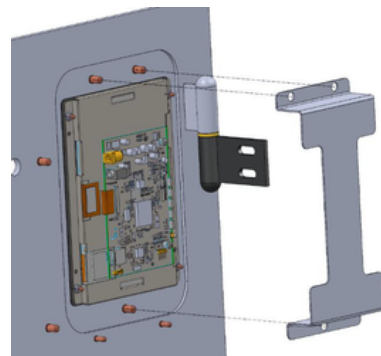
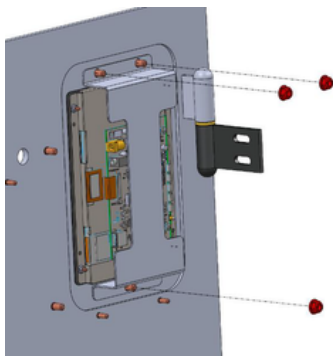
Unscrew the 4 M4 screws of the struts (leave the struts) then remove the bankesnote reader (use the Pozidriv screwdriver for M4 screws).

2.1 Disassembly of the screen

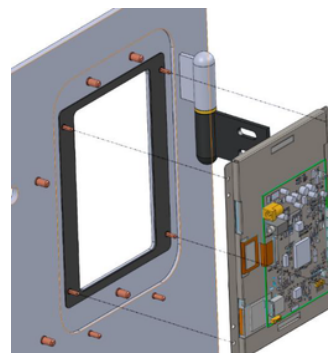
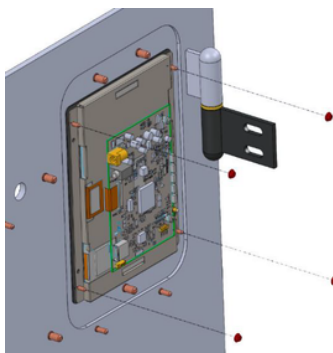
After dismantling the bankesnote reader, identify the location of each cable connected to the screen and unplug them from the screen (power cable, USB cable and HDMI cable).

You also need to unplug the USB cable and the power cable from the electrical casing because these 2 elements will no longer be used on the new screen.

Now unscrew the 3 M6 nuts with a serrated base from the screen holder then remove the screen holder (use the size 10 socket wrench). The reinforcement will no longer be used, therefore be careful not to confuse the current reinforcement with the new one.



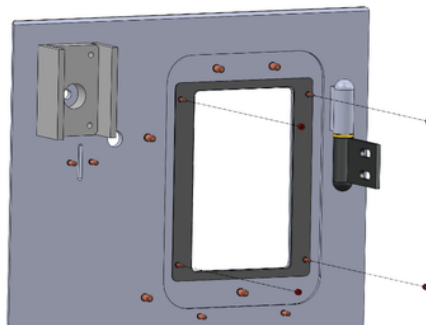
Unscrew the 4 M3 nuts with a serrated base from the screen then remove the screen (use the size 5.5 socket wrench). However, leave the seal in place.



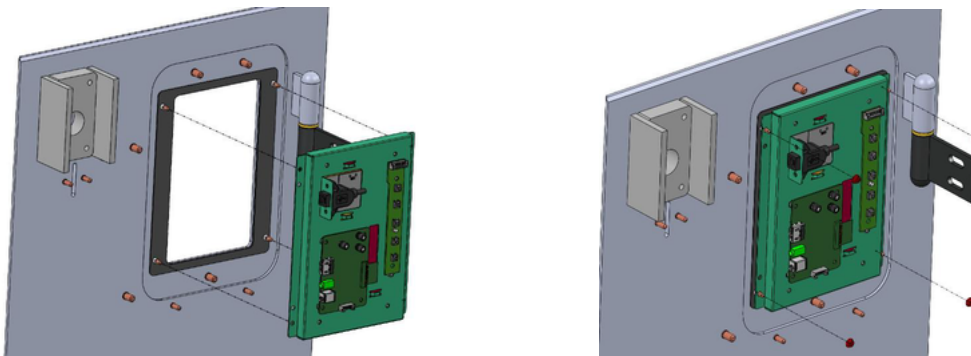
3. Reassembly

3.1 Reassembly of the screen

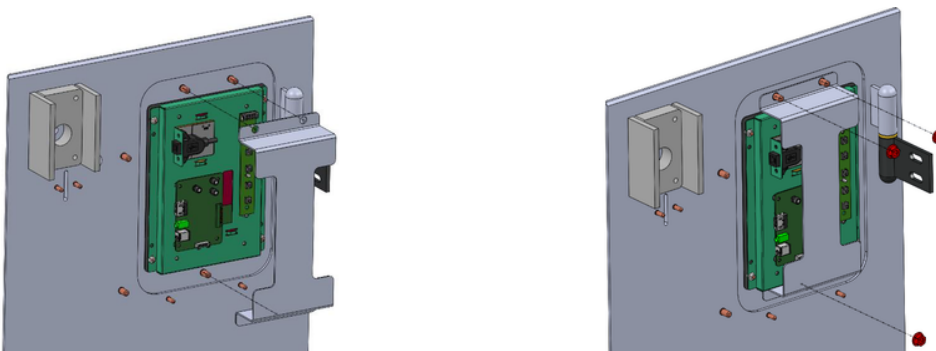
Make sure the seal is still properly positioned in its spot and put the 4 plastic washers on the 4 mounting studs of the screen (1 washer per stud). If you don't have a seal already on your kiosk, add one before placing the washers.



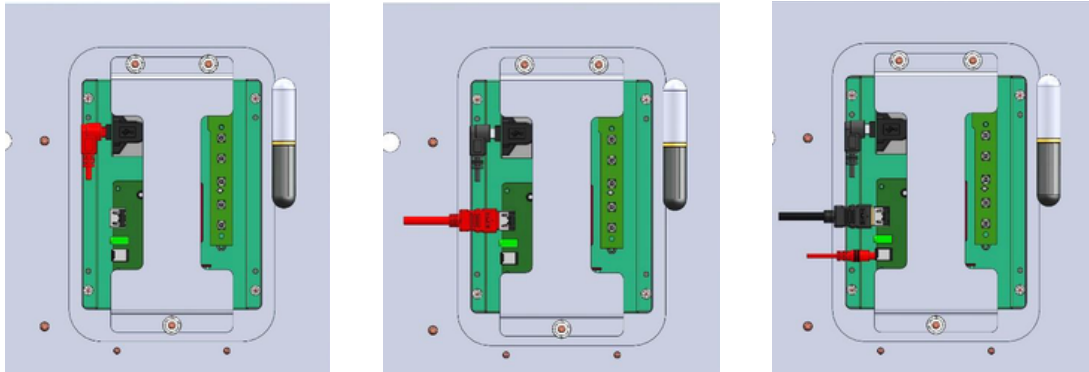
Set the new screen in its position in the same direction as the screen previously removed. (that is with the cable outlets on the same side) and fix it with the 4 M3 nuts with a serrated base (use the size 5.5 socket wrench). Be careful not to tighten too much when screwing. (as not to put pressure on the touchscreen).



Now install the new screen holder and fix it with the 3 M6 nuts with a serrated base (use the size 10 socket wrench).

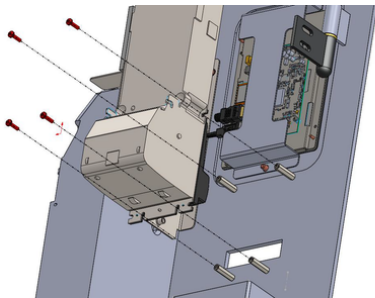


Once everything is set up, connect the new angled USB Type B cable, the HDMI cable is connected on the electrical casing and the new power cable, all on the new 7-inch screen.



Leave the other end of the cables unplugged for now.

3.1 Reassembly of the screen



If you don't have a banknotes reader on your model, skip to section "4".

Once the screen and the holder reassembled, you can reassemble the banknotes reader (use the Pozidriv screwdriver for M4 screws).

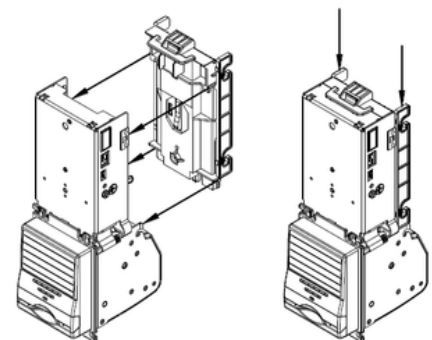
Put the holder back :

In order to fix the holder in its position, align the 2 tabs on the holder with the 2 slots located on the case of the banknotes reader.

Once the holder is set up, push it in the indicated position until the engagement of the latch.

For the UPWARD STACKER installation, slide the holder DOWN and vice versa.

Reintroduce the cassette in the banknotes reader. You need to align the 4 tabs in the cassette on the 4 slots located on the plastic holder.



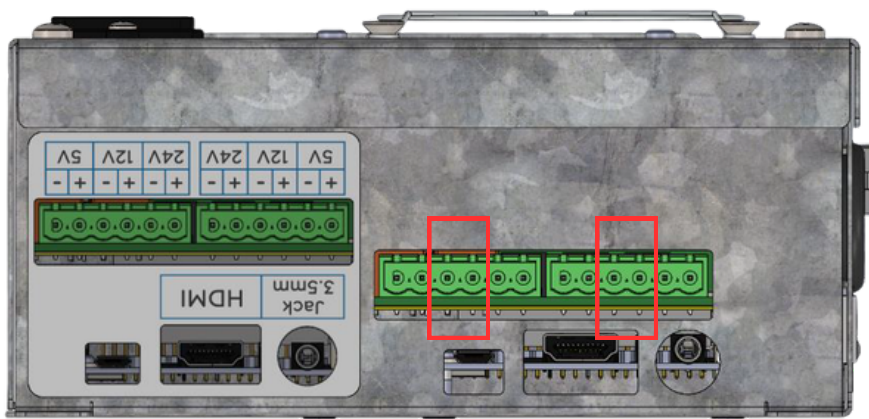
Once the cassette has been inserted into the slots, push it in the direction indicated. For the UPWARD STACKER installation, slide the cassette DOWN and vice versa.

You can now reconnect the cables to the banknotes reader.

4. Finalizing the reassembly

Now reconnect the power cable and the USB cable type B on the electrical casing. Be careful, for the power cable, the new 7-inch screen requires a 12V power supply and not 5V like the old one.

Therefore, you need to connect the new power cable on the 12V power port of the electrical casing.



Now you can turn the kiosk back on after carefully checking that everything is correctly plug in.